


22260846	<b>DATA SHEET</b>	
Valid from: 12.09.2019	<b>AB-C4-(L*)PVC-M8FA</b>	

## Product description

Sensor/actuator cable, 4-pos., PVC black, angled socket M8 on free conductor end.



## Product variations

Article number	Article description	Length (L*) [m]
22260846	AB-C4-2,0PVC-M8FA	2
22260845	AB-C4-5,0PVC-M8FA	5
22260844	AB-C4-10,0PVC-M8FA	10

This datasheet is also valid for other length configurations. Other lengths upon request.

## M8 connector

### General properties

Coding	A
Protection degree	IP65/IP67/IP68
Number of contacts	4
Ambient temperature	-25 °C to +90 °C (-13 °F to +194 °F)
Rated voltage	30 V
Rated current	4 A
Insulation resistance	≥ 100 MΩ
Contact resistance	≤ 5 mΩ
Overvoltage category	II
Pollution degree	3
Tightening torque	0.2 Nm
Mating cycles	100


### Materials

Contact carrier	TPU GF
Contact carrier, inflammability class acc. to UL 94	HB
Material, contacts	CuSn
Contact surface	Ni/Au
Material, grip body	TPU
Material, knurl	zinc die-cast, nickel-plated
Material, sealing	NBR

### Cable

Signal line, construction	14 x 0.15 mm
Signal line, AWG	24
Conductor, material	stranded of bare copper wire
Conductor, cross-section	0.25 mm <sup>2</sup>
Number of cores	4
Core identification code	brown (1), white (2), blue (3), black (4)
Outer diameter, core insulation	1.17 mm
Core insulation, material	PVC
Outer sheath	PVC
Outer sheath, colour	black similar to RAL 9005
Outer diameter, cable	4.4 mm

Creator: MANA2/PDP Released: IVSE1/PDP	Document: DB22260846EN Version: 05	Page 1 of 2
---	---------------------------------------	-------------

22260846	<b>DATA SHEET</b>	
Valid from: 12.09.2019	<b>AB-C4-(L*)PVC-M8FA</b>	

Ambient temperature, fixed installation	-40 °C to +80 °C (-40 °F to +176 °F)
Ambient temperature, flexing	-25 °C to +80 °C (-13 °F to +176 °F)
Nominal voltage	≤ 300 V
Test voltage	≥ 3000 V

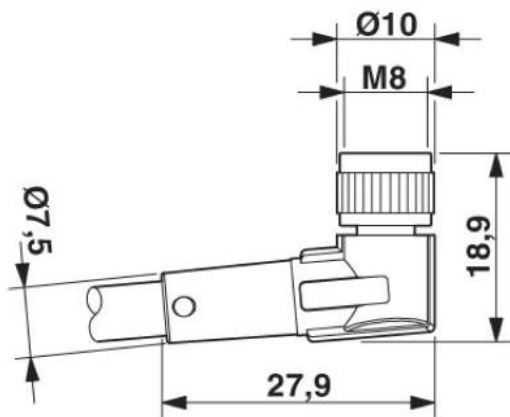
Flame retardance: flame retardant acc. to UL-Style 2464

### Standards/Approvals

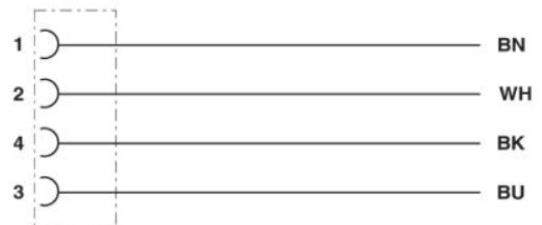
Product standard, M8 connector	IEC 61076-2-104
UL-listed, E-File	E249137

### Drawings

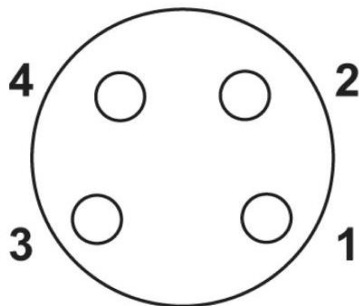
#### Dimensioned drawing, M8 connector



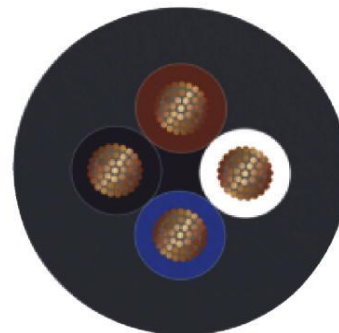
#### Wiring diagram



#### Pin assignment



#### Cable



Core identification code: brown (1), white (2), blue (3), black (4)

### Application range

For medium mechanical stress in dry conditions

### Note

Photographs are not true to scale and do not represent detailed images of the respective products.

Creator: MANA2/PDP Released: IVSE1/PDP	Document: DB22260846EN Version: 05	Page 2 of 2
---	---------------------------------------	-------------