


| | | |
|---------------------------|-----------------------|---|
| 22260103 | DATA SHEET |  |
| Valid from: 12.09.2019 | AB-C4-M8FS-0,5 | |

Product description

Sensor/actuator flush-type socket, M8, 4-pos., front/screw mounting, with M8 thread, with 0.5 m TPE litz wire, 4 x 0.25 mm²



General properties, flush-type connector

| | |
|--|---------------|
| Ambient temperature | -25 to +85 °C |
| Protection degree | IP67 |
| Number of contacts | 4 |
| Coding | A |
| Termination type | single wires |
| Conductor cross section, AWG | 24 |
| Conductor cross section, mm ² | 0.25 |
| Mating cycles | 100 |

General properties, cable

| | |
|---|----------------------|
| Insulation, material | TPE |
| Cable type | stranded single wire |
| Conductor, material | tinned copper |
| Cores, outer diameter | 1.5 mm |
| Permissible temperature range, fixed installation | -30 to 105 °C |

Electrical properties

| | |
|--------------------------------|-----------|
| Rated voltage | 60 V |
| Contact resistance | ≤ 3 mΩ |
| Insulation resistance | ≥ 10 TΩ |
| Proof voltage, contact-contact | ≥ 1.00 kV |
| Proof voltage, contact-housing | ≥ 0.85 kV |
| Rated current | 4 A |
| Overvoltage category | II |
| Pollution degree | 3 |


Materials, M8 flush-type connector

| | |
|--|------------------|
| Contact carrier | PUR |
| Contact carrier, inflammability class in accordance with UL 94 | HB |
| Contacts, base material | CuSn |
| Contacts, surface | Au |
| Knurl | Brass, Ni plated |
| Grip body | PA |
| Sealing | FKM |

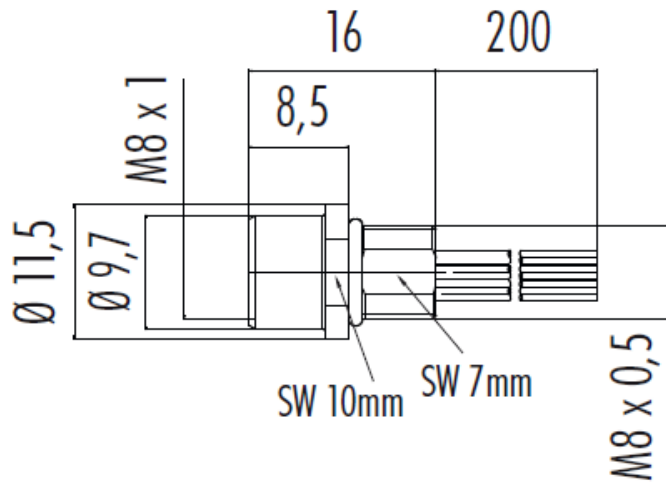
Standards

| | |
|------------------|---|
| Product standard | M8-Connector acc. to DIN EN 61076-2-104 |
|------------------|---|

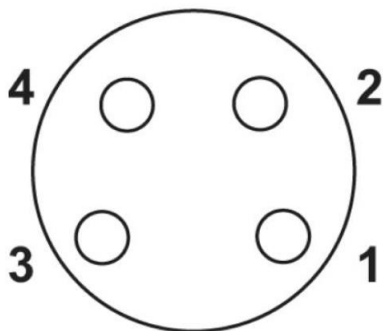
| | | |
|---|---------------------------------------|-------------|
| Creator: MANA2/PDP Released: IVSE1/PDP | Document: DB22260103EN Version: 05 | Page 1 of 2 |
|---|---------------------------------------|-------------|

| | | |
|---------------------------|-------------------|---|
| 22260103 | DATA SHEET |  |
| Valid from: 12.09.2019 | AB-C4-M8FS-0,5 | |

Drawings



Pin assignment



Application range

Connection of enclosures and cabinets

Note

Photographs are not true to scale and do not represent detailed images of the respective products.

| | | |
|---|---------------------------------------|-------------|
| Creator: MANA2/PDP Released: IVSE1/PDP | Document: DB22260103EN Version: 05 | Page 2 of 2 |
|---|---------------------------------------|-------------|