


| | | |
|---------------------------|-----------------------|---|
| 22260100 | DATA SHEET |  |
| Valid from: 10.12.2019 | AB-C3-M8MS-0,5 | |

Product description

Sensor/actuator flush-type plug, M8, 3-pos., front/screw mounting, with M8 thread, with 0.5 m PVC braid strand, 3 x 0.25 mm²



General properties, flush-type connector

| | |
|--|---------------|
| Ambient temperature | -25 to +85 °C |
| Protection degree | IP67 |
| Number of contacts | 3 |
| Coding | A |
| Termination type | single wires |
| Conductor cross section, AWG | 24 |
| Conductor cross section, mm ² | 0.25 |

General properties, cable

| | |
|---|------------------|
| Insulation, material | PVC |
| Cable type | PVC braid strand |
| Conductor, material | tinned copper |
| Cores, outer diameter | 1.5 mm |
| Permissible temperature range, fixed installation | -40 to 105 °C |

Electrical properties

| | |
|-----------------------|----------|
| Rated voltage | 60 V |
| Insulation resistance | ≥ 100 MΩ |
| Rated current @ +40°C | 4 A |
| Overvoltage category | II |
| Pollution degree | 3 |


Materials, M8 flush-type connector

| | |
|--|------------------|
| Contact carrier | PA |
| Contact carrier, inflammability class acc. UL 94 | HB |
| Contacts, base material | Cu-alloy |
| Contacts, surface | Au |
| Knurl | Brass, Ni plated |
| Grip body | PA |
| Sealing | FKM |

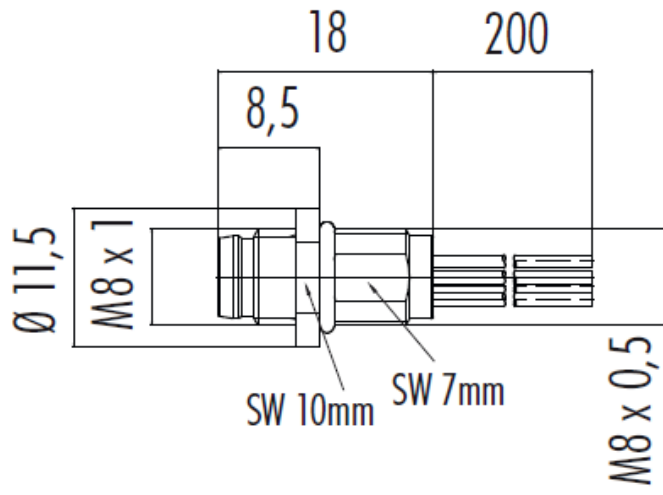
Standards

| | |
|------------------|--------------------------------------|
| Product standard | M8-Connector acc. to IEC 61076-2-104 |
|------------------|--------------------------------------|

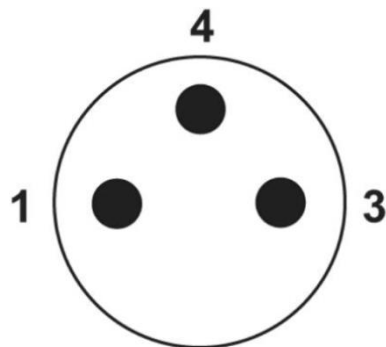
| | | |
|---|---------------------------------------|-------------|
| Creator: MANA2/PDP Released: IVSE1/PDP | Document: DB22260100EN Version: 06 | Page 1 of 2 |
|---|---------------------------------------|-------------|

| | | |
|---------------------------|-------------------|---|
| 22260100 | DATA SHEET |  |
| Valid from: 10.12.2019 | AB-C3-M8MS-0,5 | |

Drawings



Pin assignment



| Pin | Strand-Color |
|-----|--------------|
| 1 | Brown |
| 3 | Blue |
| 4 | Black |

Application range

Connection of enclosures and cabinets

Note

Photographs are not true to scale and do not represent detailed images of the respective products.

| | | |
|---|---------------------------------------|-------------|
| Creator: MANA2/PDP Released: IVSE1/PDP | Document: DB22260100EN Version: 06 | Page 2 of 2 |
|---|---------------------------------------|-------------|